

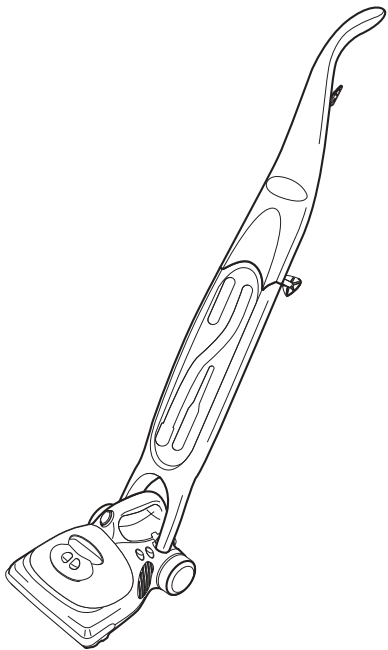
# BLACK & DECKER®

## Dirt Buster™

Floor & Hand Vac

Catalog No. FV7000

### INSTRUCTION MANUAL



BEFORE RETURNING THIS PRODUCT FOR ANY REASON PLEASE CALL

1-800-54-HOW-TO (544-6986)

IF YOU SHOULD EXPERIENCE A PROBLEM WITH YOUR **BLACK & DECKER** PURCHASE, CALL **1-800-54-HOW-TO (1-800-544-6986)**. IN MOST CASES, A **BLACK & DECKER** REPRESENTATIVE CAN RESOLVE YOUR PROBLEM OVER THE PHONE. IF YOU HAVE A SUGGESTION OR COMMENT, GIVE US A CALL. YOUR FEEDBACK IS VITAL TO THE SUCCESS OF BLACK & DECKER'S QUALITY IMPROVEMENT PROGRAM.

SAVE THIS MANUAL FOR FUTURE REFERENCE.

VEA EL ESPAÑOL EN LA CONTRAPORTADA.

INSTRUCTIVO DE OPERACIÓN, CENTROS DE SERVICIO Y PÓLIZA DE GARANTÍA.

⚠ **ADVERTENCIA:** LÉASE ESTE INSTRUCTIVO ANTES DE USAR EL PRODUCTO.

Form No. 243935-00 REV. 1 Cat. # FV7000 (SEPT. 02) Copyright © 2001 Black & Decker Printed in China

### IMPORTANT SAFEGUARDS

When using electrical appliances, basic safety precautions should always be followed, including the following:

**PLEASE READ AND UNDERSTAND ALL INSTRUCTIONS CAREFULLY BEFORE USING THE UNIT.**

⚠ **WARNING:** This product contains chemicals, including lead, known to the State of California to cause cancer, and birth defects or other reproductive harm. Wash hands after handling.

⚠ **WARNING:** To reduce the risk of fire, electrical shock or injury:

- Do not leave appliance when plugged in. Unplug from outlet when not in use and before servicing.
- Do not use or store outdoors or on wet surfaces.
- To prevent tripping accidents, store vacuum after each use.
- Close supervision is necessary when any appliance is used near children. Do not allow to be used as a toy.
- Use only as described in this manual. Use only manufacturer's recommended attachments.
- Do not operate any appliance with a damaged cord or plug or after the appliance malfunctions, is left outdoors, dropped into water or is damaged in any manner. Return the appliance to any authorized service facility.
- Do not pull or carry by cord, do not use cord as a handle, do not close a door on cord or pull cord around sharp edges or corners, do not run appliance over cord. Keep cord away from heated surfaces.
- Do not unplug by pulling on cord. To unplug, grasp the plug, not the cord.
- Do not handle plug or appliance with wet hands.
- Do not put any object into unit openings. Do not use with any openings blocked; keep free of dust, lint, hair, and anything that may reduce air flow.
- Keep hair, loose clothing, fingers, and all parts of body away from openings and moving parts.
- Use extra caution when cleaning on stairs.
- Keep work areas well lit.
- Do not vacuum any electrical appliances while they are plugged in.
- Do not pick up sharp objects that may damage vacuum or filters.
- Do not use to pick up any liquids, toxic substances, flammable or combustible liquids such as gasoline or use in areas where they may be present.
- Do not insert accessories when unit is running.
- Do not vacuum burning or smoking materials, such as lit cigarette butts, matches or hot ashes.
- Do not use on or near hot surfaces.

- Do not use without dirt bowl and filters in place.
- This appliance is intended for household use only and not for commercial or industrial use.

### SAVE THESE INSTRUCTIONS

### Unpack / Déballage / Desempacado

FIG. 1

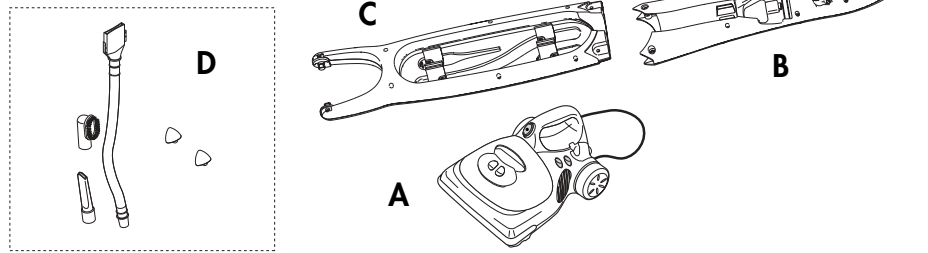


FIG. 2

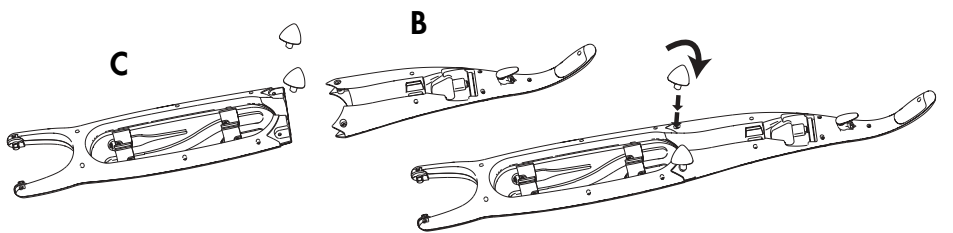


FIG. 3

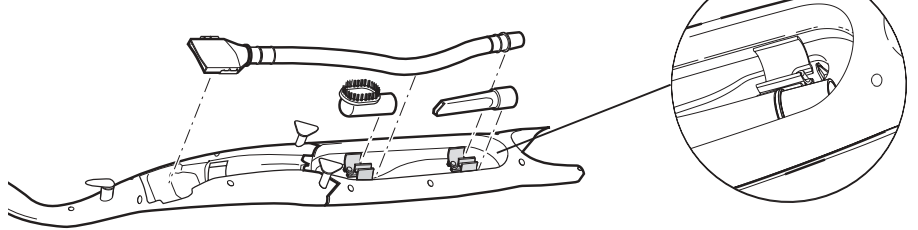


FIG. 4

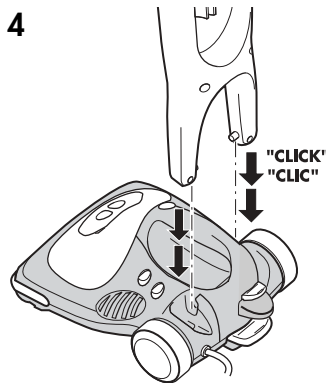
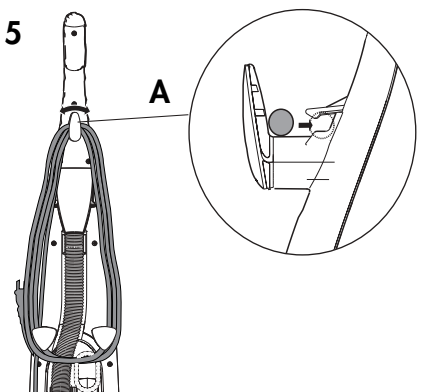


FIG. 5



### Use / Utilisation / Uso

FIG. 6

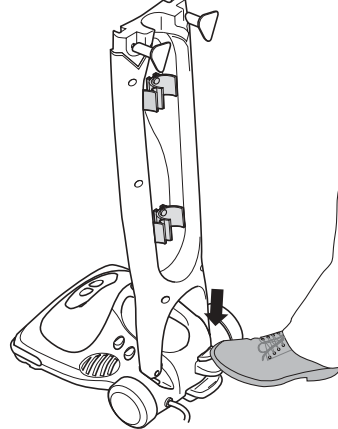


FIG. 7A

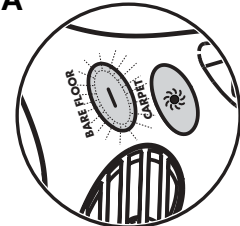


FIG. 7B

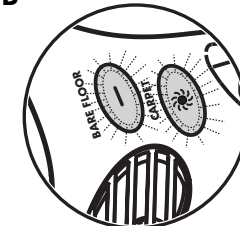


FIG. 8

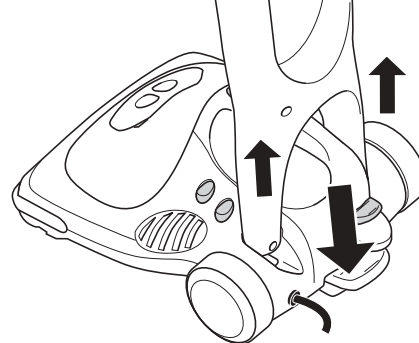


FIG. 9

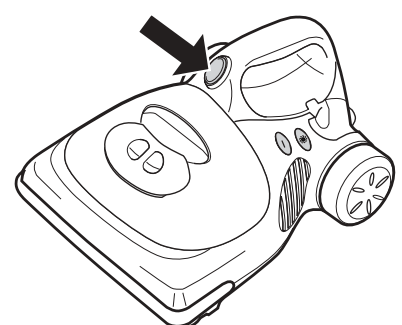


FIG. 10

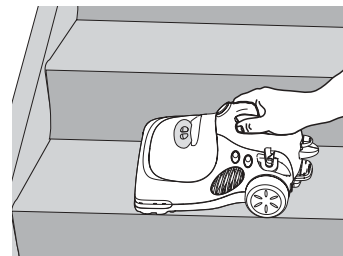


FIG. 11

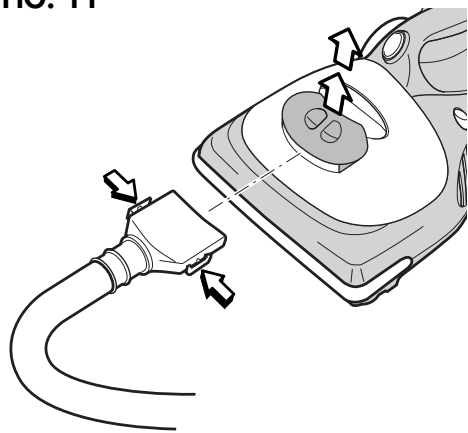
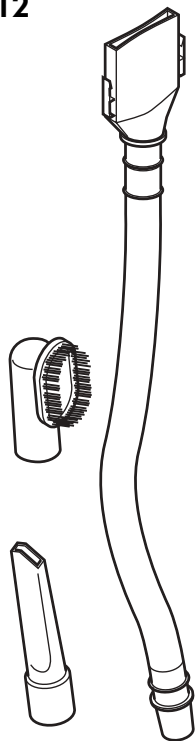


FIG. 12



Cleaning / Nettoyage / Limpieza

FIG. 13

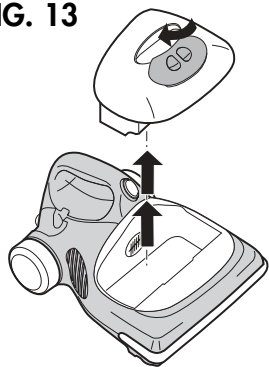


FIG. 14

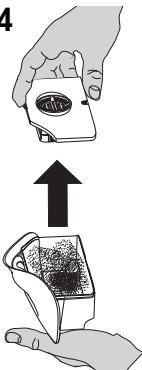


FIG. 15

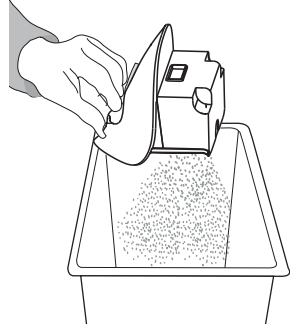
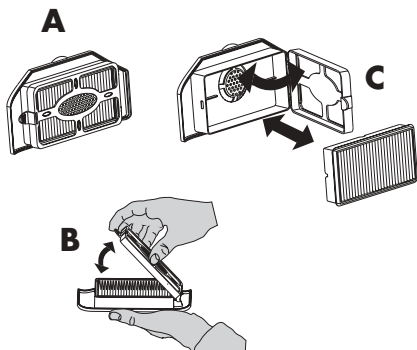


FIG. 16



**Safety Instructions: Polarized Plugs**

To reduce the risk of electric shock, this equipment has a polarized plug (one blade is wider than the other). Polarized connections will fit together only one way. If the power cord plug does not fit fully into the receptacle, reverse the plug. If it still does not fit fully into the outlet, contact a qualified electrician to install the proper outlet. Do not change the vacuum power cord in any way.

**Power Supply**

Be sure your power supply agrees with nameplate marking. 120 Volts AC only means your vacuum will operate on standard 60 Hz household power. Do not operate AC products on DC. A rating of 120 volts AC/DC means that your product will operate on standard 60 Hz AC or DC power. This information is printed on the nameplate. Lower voltage will cause loss of power and can result in over-heating. All Black & Decker products are factory-tested; if this product does not operate, check the power supply.

**Unpacking Your DirtBuster™ Floor and Hand Vac (Fig. 1)**

Before assembling your new vacuum please check that you have all the necessary parts. Refer to figure 1 and the following list of parts included in the package:

- A. 1 Hand held vacuum
- B. 1 Upper portion of upright handle
- C. 1 Lower portion of upright handle
- D. 1 Accessory bag containing: 1 flexible hose with adapter, 1 crevice tool, 1 dusting brush and 2 tool-free assembly screws.

**Note: Before disposing of packaging, be sure to remove all parts. If you have any problems, please call 1-800-54-HOW-TO (1-800-544-6986).**

**Assembling Your DirtBuster™ Floor and Hand Vac (Figs. 2-5)**

**NO TOOLS REQUIRED!**

**Assembling the Upright Handle (Figure 2)**

1. Insert the lower portion of handle, item C, into the upper portion of handle, item B, as shown in figure 2.

**Note: Do not force these handles together, they should slide together freely and will only assemble one way.**

2. Using the tool-free assembly screws, screw the two handle sections together until tight.

**Note: These tool-free assembly screws also function as cord wraps. Store the power cord on the upright handle when the vacuum is not in use. Refer to figure 5 and "Cord Management and Storage".**

**Storage of Accessories (see Figure 3)**

The upright handle of your vacuum provides storage for the flexible hose, crevice tool and dusting brush. When detached from the vacuum, the upright handle also serves as a portable caddy for the accessories. To store the accessory tools on the upright handle refer to figure 3.

**Note: The accessories will store securely on the upright handle, do not use excessive force when inserting the tools into their location.**

**Attaching the Upright Handle (see Figure 4)**

Holding the upright handle in a vertical position with the accessories facing you, align the ends of the attachment legs with the recesses in the vacuum and push downward until you hear a "CLICK" (refer to figure 4).

**⚠ Caution: The vacuum is provided with wheels and rollers. Care should be taken to make sure the vacuum does not move when attaching the upright handle!**

**Upright Handle Detent**

Your upright handle has a detent that helps it remain upright. It will release when the handle is pulled back to the normal use position. It is not a handle lock.

**Cord Management and Storage (see Figure 5)**

Your vacuum when fully assembled provides cord storage on the back of the upright handle.

To store the power cord on the vacuum when not in use:

1. Place upright handle in the vertical storage position.
2. Drape the cord over the quick release cord wrap and insert into the cord hook as shown in Figure 5A.
3. Turn the quick release cord wrap to the up position.
4. Wrap the power cord around the quick release cord wrap and the two lower cord wraps.
5. Engage the holder on the plug end onto one of the wraps of cord.
6. To release cord, turn the quick release cord wrap to the down position and pull cord away.

In normal upright vacuuming, keep the cord in the cord hook (Figure 5A).

**How To Use Your DirtBuster™ Floor and Hand Vac (see Figs. 6-17)**

**On / Off Switch (Figure 6 and 9)**

An ON/OFF switch is located in two areas on the vacuum. When using the vacuum in the upright mode, use the upper foot pedal located at the back of the vacuum (Figure 6). When using the vacuum in hand held mode use the thumb switch (Figure 9) located on the handle.

**Note: The vacuum may be turned OFF with either switch, regardless of which is used to turn the vacuum ON.**

**Vacuum Indicator Lights for Bare or Carpet Floor Use (see Figure 7A and 7B)**

There are two indicator lights on the left side of the power head.

1. Pressing down either the foot pedal or thumb switch once will turn ON the forward light, indicating suction only. Use this setting when vacuuming bare floors or using accessories.
2. Pressing down either the foot pedal or thumb switch a second time will turn ON both lights, indicating the brush roll is now rotating. Use this setting when vacuuming carpeted surfaces.
3. Pressing down either the foot pedal or thumb switch a third time will turn the vacuum OFF.

**Detaching the Upright Handle (see Figure 8)**

Your vacuum comes with a detachable upright handle for one step conversion from upright vacuum to hand held vacuum. Refer to Figure 4 "Attaching the Upright Handle".

1. Before detaching upright handle, remove cord from the cord wrap and cord hook as shown in Figure 5.
2. Press down on the handle release pedal at the back of the vacuum, as shown in figure 8, while pulling straight up on the handle.

**Note: Upright handle will detach only in vertical position.**

**⚠ Caution: Make sure the vacuum does not move when detaching the upright handle.**

**Use as a Hand Vac (see Figure 10)**

With the upright handle removed the unit becomes a hand vacuum for use on stairs, on upholstery and other uneven surfaces. The accessory adapter should only be used with upright handle removed.

**Accessories**

Your vacuum comes with a flexible hose for use with hand held accessories. The hose has an adapter on each end, one that attaches to the vacuum and another to accept a crevice tool or dusting brush.

**Mounting and Removing Adapter (see Figure 11, 12)**

**Note: Unplug vacuum and remove upright handle before attaching or detaching accessory adapter.**

The hose has a connecting adapter that plugs into the accessory inlet area on top of the dirt bowl. The adapter has side locking tabs to help attach and detach it to the inlet area.

1. Remove the adapter and hose assembly from the upper handle.
2. Lift the accessory inlet cover to reveal the accessory inlet location, see Figure 11.
- Note: Lifting the inlet cover will interrupt the original airflow path found below the power head. The lifting of this cover will also lock dirt bowl in place avoiding accidental removal while using flexible hose and accessories.**
3. Insert the flat end of the connecting hose into the inlet.
4. Attach crevice tool for tight corners or dusting brush for upholstery/draperies, see Figure 12.
5. To remove adapter, depress the clips on the sides of the adapter and pull adapter away from the inlet, see Figure 11.

**To Empty Dirt Bowl (see Figure 13-16)**

**Note: Unplug vacuum before removing the dirt bowl.**

1. To empty debris and access filters, the accessory inlet area must be closed to unlock dirt bowl for removal.
2. Grasp dirt bowl handle and pull up as shown in figure 13. You may now take the dirt bowl assembly to your garbage can for cleaning.
3. Orient dirt bowl as shown in figure 14, then remove filter assembly from dirt bowl by lifting straight up. Note finger grip locations.
4. Empty dirt bowl, see figure 15, and clean off the face of the screen door, figure 16A.
5. Open screen door by placing finger under tab and lifting, figure 16B. To remove debris from the filter, tap against a hard surface or brush it with a soft brush. Screen door may be removed and easily reassembled onto the filter housing.
6. Pleated filter may be removed from filter assembly by pulling on a pleat, figure 16C. Tap dirt out or hand wash with soap and warm water, rinse thoroughly, allow to dry.
- IMPORTANT: MAKE SURE FILTER IS DRY BEFORE REASSEMBLY. CHECK THE SCREEN DOOR AND THE PLEATED FILTER FOR DAMAGE. IF DAMAGED, REPLACE BEFORE USING THE VACUUM.**
7. Place pleated filter in filter housing, close screen door, place filter assembly back into dirt bowl and insert back into vacuum, pressing firmly in place.

**FOR BEST PERFORMANCE CLEAN OR REPLACE FILTERS OFTEN.**

**⚠ WARNING: DO NOT OPERATE VACUUM WITHOUT DIRT BOWL AND FILTERS IN PLACE.**

**Replacement Parts and Maintenance**

**Replacement Pleated Filter and Screen Door**

Replacement pleated filters and screen doors may be purchased from your Black & Decker Service Center or retailer. Use only genuine Black & Decker replacement parts for your vacuum.

**Maintenance**

**IMPORTANT: UNPLUG VACUUM BEFORE PERFORMING ANY MAINTENANCE.**

Use only mild soap and a damp cloth to clean your vacuum. Never let any liquid get inside the vacuum; never immerse any part of the vacuum into a liquid.

**Note: Make sure the vacuum is completely dry before using it.**

Inspect brush bar often and remove any hair or lint from bristles.

**⚠ Caution: Do not use sharp objects to clean brush bar.**

**Important**

To assure product safety and reliability; repairs, maintenance and adjustments (other than those listed in this manual) should be performed by authorized service centers or other qualified service organizations, always using identical replacement parts.



## Service Information

Black & Decker offers a full network of company-owned and authorized service locations throughout North America. All Black & Decker Service Centers are staffed with trained personnel to provide customers with efficient and reliable power tool service. Whether you need technical advice, repair, or genuine factory replacement parts, contact the Black & Decker location nearest you. To find your local service location, refer to the yellow page directory under "Tools—Electric" or call: **1-800-54-HOW-TO (1-800-544-6986)**.

## Full Two-Year Home Use Warranty

Black & Decker (U.S.) Inc. warrants this product for two years against any defects in material or workmanship. The defective product will be replaced or repaired at no charge in either of two ways:

The first, which will result in exchanges only, is to return the product to the retailer from whom it was purchased (provided that the store is a participating retailer). Returns should be made within the time period of the retailer's policy for exchanges (usually 30 to 90 days after the sale). Proof of purchase may be required. Please check with the retailer for their specific return policy regarding returns that are beyond the time set for exchanges.

The second option is to take or send the product (prepaid) to a Black & Decker owned or authorized Service Center for repair or replacement at our option. Proof of purchase may be required. Black & Decker owned and authorized service centers are listed under "Tools-Electric" in the yellow pages of the phone directory.

This warranty does not apply to accessories. This warranty gives you specific legal rights and you may have other rights which vary from state to state. Should you have any questions, contact the manager of your nearest Black & Decker Service Center.

This product is not intended for commercial use.

Imported by  
Black & Decker (U.S.) Inc.,  
701 E. Joppa Rd.  
Towson, MD 21286 U.S.A.



See 'Tools-Electric'  
- Yellow Pages -  
for Service & Sales



# FRANÇAIS

# BLACK & DECKER®

## Aspirateur-balai/aspirateur portatif

Modèle FV7000

## GUIDE D'UTILISATION

AVANT DE RETOURNER LE PRODUIT,  
PEU IMPORTE LA RAISON,  
PRIÈRE DE COMPOSER LE  
1 800 544-6986

CONSERVER LE PRÉSENT GUIDE À TITRE DE RÉFÉRENCE.

## IMPORTANTES MESURES DE SÉCURITÉ

Lorsqu'on utilise des outils électriques, il faut toujours respecter certaines mesures de sécurité, notamment suivantes.

**LIRE ET COMPRENDRE TOUTES LES DIRECTIVES AVANT D'UTILISER L'APPAREIL.**

**⚠ AVERTISSEMENT :** Le produit renferme des produits chimiques, dont du plomb. Selon l'état de la Californie, ce produit chimique peut causer le cancer ainsi que des malformations congénitales, et il présente d'autres dangers au système reproductif humain. Se laver les mains après l'utilisation.

**⚠ AVERTISSEMENT :** Se conformer aux mesures suivantes afin d'éviter les risques d'incendie, de secousses électriques ou de blessures.

- Ne pas laisser l'appareil branché sans surveillance. Le débrancher lorsqu'on ne s'en sert pas ou qu'on doit le réparer.
- Ne pas utiliser ni ranger l'appareil à l'extérieur ou sur des surfaces mouillées.
- Afin de ne pas trébucher, ranger l'aspirateur après chaque utilisation.
- Surveiller avec vigilance lorsque des enfants se trouvent à proximité de tout appareil. Il ne s'agit pas d'un jouet.
- Utiliser seulement aux fins décrites dans le présent guide. Utiliser seulement des accessoires recommandés par le fabricant.
- Ne pas utiliser un appareil dont la fiche ou le cordon est abîmé, qui présente un problème de fonctionnement, qui est laissé à l'extérieur, qui est tombé dans l'eau ou qui est endommagé. Le rapporter au centre de service autorisé de la région.
- Ne pas tirer sur le cordon, ni transporter l'appareil par le cordon. Ne pas se servir du cordon comme d'une poignée. Ne pas refermer une porte sur le cordon ni tirer sur le cordon lorsqu'il se trouve près d'une arête ou d'un coin tranchant. Ne pas faire passer l'appareil sur le cordon. Éloigner le cordon des surfaces chauffées.
- Ne pas tirer sur le cordon pour débrancher l'appareil. Il faut plutôt saisir la fiche.
- Ne pas manipuler la fiche ni l'appareil lorsque les mains sont mouillées.
- Ne rien insérer dans les orifices. Ne pas utiliser lorsque les orifices sont bloqués; s'assurer qu'il n'y a aucune accumulation de poussière, de charpie, de cheveux ou de tout autre corps qui pourrait réduire le débit d'air.
- Éloigner les cheveux, les vêtements amples, les doigts et tout autre membre des orifices et des pièces en mouvement.
- Faire preuve d'une extrême prudence lors du nettoyage d'escaliers.
- S'assurer que la zone de travail est bien éclairée.
- Ne pas nettoyer des appareils électriques branchés.
- Ne ramasser aucun corps pointu qui pourrait endommager l'appareil ou les filtres.
- Ne ramasser aucun liquide, substance toxique ni liquide inflammable ou combustible, comme de l'essence, et ne pas s'en servir dans un endroit renfermant de tels produits.
- Ne pas ajouter un accessoire lorsque l'appareil fonctionne.
- Ne ramasser aucun corps en combustion ou fumant, comme des cigarettes, des allumettes et des cendres chaudes.
- Ne pas utiliser sur des surfaces chaudes ou près de celles-ci.
- Ne pas utiliser sans le bac à poussière et les filtres en place.
- Le présent appareil est conçu pour une utilisation domestique seulement et non pour une utilisation commerciale ou industrielle.

CONSERVER CES MESURES.

## Mesures de sécurités : Fiche polarisée

Le produit est muni d'une fiche polarisée (une lame plus large que l'autre) afin de minimiser les risques de secousses électriques. Ce genre de fiche n'entre que d'une façon dans une prise polarisée. Lorsqu'on ne peut insérer la fiche à fond dans la rallonge, il faut tenter de le faire après avoir inversé les lames de côté. Si la fiche n'entre toujours pas dans la rallonge, il faut communiquer avec un électricien certifié pour qu'il installe une prise appropriée. Il ne faut pas modifier la fiche de l'appareil.

## Alimentation

Veiller à ce que la tension d'alimentation soit conforme aux exigences de la plaque signalétique de l'appareil. Ainsi, la mention «120 volts c.a. seulement» signifie que l'appareil fonctionne seulement sous une alimentation domestique standard de 60 Hz. Ne pas alimenter de tels appareils à l'aide de courant continu. La mention «120 volts c.a./c.c.» signifie que l'appareil fonctionne sous une alimentation domestique standard de 60 Hz ou sur du courant continu. Les renseignements se trouvent sur la plaque signalétique de l'appareil. Une baisse de tension entraîne une perte de puissance et peut causer la surchauffe de l'appareil. Tous les appareils Black & Decker sont essayés en usine. Lorsque l'appareil ne fonctionne pas, vérifier la source d'alimentation.

## Déballage de l'aspirateur-balai/aspirateur portatif Dirtbuster<sup>mc</sup> (Fig. 1)

Avant d'assembler l'aspirateur, s'assurer d'avoir toutes les pièces nécessaires. Consulter la figure 1 et la liste suivante des pièces dans l'emballage.

- A. Un aspirateur portatif
- B. Une section supérieure de la poignée
- C. Une section inférieure de la poignée
- D. Un sac d'accessoires comprenant : un boyau souple avec un adaptateur, un suceur plat, une brosse à épousseter et deux vis d'assemblage sans outil.

**Note :** Avant de se débarrasser de l'emballage, s'assurer d'en avoir retiré toutes les pièces. En cas de problème, prière de composer le 1 800 544-6986.

## Assemblage de l'aspirateur-balai/aspirateur portatif Dirtbuster<sup>mc</sup> (Fig. 2 à 5)

AUCUN OUTIL REQUIS!

### Assemblage de la poignée (Fig. 2)

1. Insérer la section inférieure de la poignée, art. C, dans la section supérieure de la poignée, art. B, comme le montre la figure 2.

**Note :** Ne pas forcer ces sections de poignée, elles devraient glisser librement l'une dans l'autre et elles ne s'assemblent que d'une façon.

2. À l'aide des deux vis d'assemblage sans outil, bien visser les deux sections ensemble.

**Note :** Les deux vis d'assemblage sans outil servent également de dispositif de retenue du cordon. Ranger le cordon d'alimentation sur la poignée lorsque l'aspirateur ne sert pas. Consulter la figure 5 et la rubrique relative au cordon.

### Rangement des accessoires (Fig. 3)

On peut ranger le boyau souple, le suceur plat et la brosse à épousseter sur la poignée de l'aspirateur. Lorsqu'on retire la poignée de l'appareil, celle-ci sert de rangement portatif pour les accessoires. Consulter la figure 3 pour le rangement des accessoires sur la poignée.

**Note :** Les accessoires se rangent sûrement sur la poignée. Éviter d'exercer une force excessive lors de l'insertion des accessoires.

### Fixation de la poignée (Fig. 4)

Saisir la poignée à la verticale avec les accessoires vers soi, puis aligner les pattes de fixation sur les creux de l'aspirateur et pousser la poignée vers le bas jusqu'à ce qu'elle s'enclenche (fig. 4).

**⚠ Mise en garde :** L'aspirateur comporte des roues et des rouleaux. S'assurer que l'appareil ne bouge pas lorsqu'on y fixe la poignée.

### Détente de retenue de la poignée

La poignée comporte une détente de retenue qui la maintient à la verticale. Ce dispositif se dégage lorsqu'on place la poignée vers l'arrière pour se servir de l'appareil. Il ne s'agit pas d'un dispositif de verrouillage de la poignée.

### Rangement du cordon (Fig. 5)

Lorsque l'aspirateur est complètement assemblé, il y a un espace de rangement du cordon situé à l'arrière de la poignée. Faire ce qui suit pour ranger le cordon lorsque l'appareil ne sert pas.

1. Placer la poignée à la verticale.
2. Enrouler le cordon sur le dispositif à dégagement rapide et l'insérer dans le crochet du cordon comme le montre la figure 5A.
3. Faire tourner le dispositif à dégagement rapide vers le haut.
4. Enrouler le cordon autour du dispositif à dégagement rapide et des deux enrouleurs du bas.
5. Fixer le dispositif de retenue de la fiche sur une section enroulée du cordon.
6. Pour dégager le cordon, faire tourner le dispositif à dégagement rapide vers le bas et tirer sur le cordon. Lorsque la poignée est à la verticale, laisser le cordon dans le crochet (fig. 5A).

## Utilisation de l'aspirateur-balai/aspirateur portatif Dirtbuster<sup>mc</sup> (Fig. 6 à 17)

### Interrupteur (Fig. 6 et 9)

Il y a un interrupteur à deux endroits. Lorsque l'aspirateur est à la verticale, utiliser la pédale au pied située à l'arrière de l'appareil (fig. 6). Lorsqu'on utilise l'aspirateur en mode portatif, utiliser l'interrupteur à portée du pouce (fig. 9) qui se trouve sur la poignée.

**Note :** On peut utiliser l'un ou l'autre des interrupteurs pour arrêter l'appareil, peu importe l'interrupteur utilisé pour l'actionner.

### Témoins pour plancher avec ou sans tapis (Fig. 7A et 7B)

Il y a deux témoins du côté gauche de l'électrobrosse.

1. Lorsqu'on enfonce l'un des interrupteurs, le témoin à l'avant s'allume pour indiquer le mode de succion seulement. Utiliser ce mode pour nettoyer les planchers sans tapis ou pour se servir des accessoires.
2. Lorsqu'on enfonce de nouveau l'un des interrupteurs, les deux témoins s'allument pour indiquer le mode de rotation de l'électrobrosse. Utiliser ce mode pour nettoyer des tapis.
3. Lorsqu'on enfonce l'un des interrupteurs une troisième fois, on arrête l'aspirateur.

### Dégagement de la poignée (Fig. 8)

La poignée de l'aspirateur est amovible transformant en une étape l'aspirateur-balai en un aspirateur portatif. Consulter la figure 4.

1. Avant de dégager la poignée, retirer le cordon de l'enrouleur et du crochet comme le montre la figure 5.
2. Enfoncer la pédale de dégagement de la poignée à l'arrière de l'aspirateur (fig. 8) tout en tirant la poignée hors de l'appareil.

**Note :** La poignée se dégage seulement lorsqu'elle se trouve à la verticale.

**⚠ Mise en garde :** S'assurer que l'aspirateur ne bouge pas lorsqu'on détache la poignée.

### Utilisation de l'aspirateur portatif (Fig. 10)

Lorsque la poignée est retirée, on peut se servir de l'appareil comme d'un aspirateur portatif dans les escaliers, sur les meubles et autres surfaces inégales. L'adaptateur pour accessoires devrait seulement être utilisé lorsque la poignée est retirée.

### Accessoires

L'aspirateur vient avec un boyau souple servant avec des accessoires portatifs. Le boyau comporte un adaptateur à chaque extrémité; un qui se fixe à l'aspirateur et l'autre qui accepte un suceur plat ou une brosse à épousseter.

## Installation et retrait de l'adaptateur (Fig. 11 et 12)

**Note :** Débrancher l'aspirateur et retirer la poignée avant d'installer ou de retirer l'adaptateur d'accessoire.

Le boyau comporte un adaptateur de raccordement qui se fixe dans l'orifice pour accessoires au-dessus du bac à poussière. L'adaptateur est doté de pattes de blocage latérales pour faciliter la fixation et le retrait.

1. Retirer l'adaptateur et le boyau de la poignée.
2. Soulever le couvercle de l'orifice pour les accessoires (fig. 11).

**Note :** Lorsque le couvercle est soulevé, le débit d'air original sous l'électrobrosse est interrompu. De plus, le bac à poussière est également bloqué lorsqu'on soulève le couvercle afin d'éviter le retrait accidentel lors de l'utilisation du boyau souple et des accessoires.

3. Insérer l'extrémité plate du boyau dans l'orifice.
4. Installer le suceur plat pour nettoyer dans les endroits étroits ou la brosse pour épousseter les meubles ou les rideaux (fig. 12).
5. Pour retirer l'adaptateur, enfoncer les pinces sur les côtés et retirer l'adaptateur de l'orifice (fig. 11).

## Vidage du bac à poussière (Fig. 13 à 16)

**Note :** Débrancher l'aspirateur avant de retirer le bac à poussière.

1. Pour vider les débris et avoir accès aux filtres, il faut fermer le couvercle de l'orifice pour accessoires afin de débloquer le bac à poussière et de le retirer.
2. Saisir la poignée du bac à poussière et retirer ce dernier de la façon illustrée à la figure 13. On peut alors porter le bac à la poubelle pour le vider.
3. Placer le bac de la façon illustrée à la figure 14, puis retirer le filtre du bac à poussière en le soulevant. Remarquer les prises pour les doigts.
4. Vider le bac à poussière (fig. 15) et nettoyer la porte (fig. 16A).
5. Ouvrir la porte en plaçant un doigt sous l'ergot et en soulevant (fig. 16B). Pour enlever les débris du filtre, le frapper contre une surface solide ou le frotter à l'aide d'une brosse à poils doux. On peut retirer la porte et la remonter aisément sur le boîtier du filtre.
6. On peut retirer le filtre plissé de l'assemblage filtre en tirant sur un pli (fig. 16C). Frapper pour en dégager la saleté ou le laver à la main dans de l'eau chaude savonneuse, bien rincer et laisser sécher.

**IMPORTANT :** S'ASSURER QUE LE FILTRE EST SEC AVANT DE LE REMETTRE EN PLACE. S'ASSURER QUE LA PORTE ET LE FILTRE PLISSÉ NE SONT PAS ENDOMMAGÉS. LE CAS ÉCHÉANT, REMPLACER AVANT D'UTILISER L'ASPIRATEUR.

7. Placer le filtre plissé dans l'assemblage, refermer la porte, remettre le filtre dans le bac à poussière et remettre ce dernier dans l'appareil en le poussant fermement en place. **AFIN D'OPTIMISER LES RÉSULTATS, NETTOYER OU REMPLACER SOUVENT LES FILTRES.**

**AVERTISSEMENT :** NE PAS SE SERVIR DE L'APPAREIL SANS LE BAC À POUSSIÈRE ET LES FILTRES EN PLACE.

## Pièces de rechange et entretien

### Filtre plissé et porte de rechange

On peut acheter des filtres plissés et des portes de rechange au centre de service Black & Decker de la région. Utiliser seulement des pièces de rechange d'origine pour l'aspirateur.

### Entretien

**IMPORTANT :** DÉBRANCHER L'ASPIRATEUR AVANT D'EFFECTUER DES TRAVAUX D'ENTRETIEN.

Utiliser seulement du savon doux et un chiffon humide pour nettoyer l'aspirateur. Ne jamais laisser un liquide s'infiltrer dans l'appareil et ne jamais en immerger une partie.

**Note :** S'assurer que l'aspirateur est complètement sec avant de s'en servir.

Inspecter souvent la barre batteuse et en retirer les cheveux ou tout autre débris.

**Mise en garde :** Ne pas utiliser un objet pointu pour nettoyer la barre batteuse.

### Important

Pour assurer la SÉCURITÉ D'EMPLOI et la FIABILITÉ de l'outil, n'en confier la réparation, l'entretien et les rajustements (autres que ceux spécifiés dans le présent guide) qu'à un centre de service ou à un atelier d'entretien autorisé n'utilisant que des pièces de rechange identiques.

### Renseignements relatifs au service

Black & Decker exploite un réseau complet de centres de service et d'ateliers d'entretien autorisés par toute l'Amérique du Nord. Le personnel de tous les centres de service Black & Decker a reçu la formation voulue pour assurer l'entretien efficace et fiable des outils électriques. Pour obtenir des renseignements d'ordre technique, des conseils relatifs aux réparations ou des pièces de rechange d'origine, communiquer avec le centre de service Black & Decker de la région. On peut trouver l'adresse du centre de service de la région dans l'annuaire des Pages Jaunes à la rubrique «Outils électriques» ou en composant le numéro suivant : 1 800 544-6986.

### Garantie complète de deux ans pour utilisation domestique

Black & Decker garantit le produit pour une période de deux ans contre les vices de matière ou de fabrication. Le produit défectueux sera réparé ou remplacé sans frais conformément à l'une des conditions suivantes.

Pour échanger l'outil, il suffit de le retourner au détaillant (si le détaillant participe au programme d'échange rapide Black & Decker). Le retour doit être effectué dans les délais impartis par la politique de retour du détaillant (habituellement entre 30 et 90 jours suivant la date d'achat). Le détaillant peut exiger une preuve d'achat. Prière de vérifier la politique de retour du détaillant au-delà des délais impartis.

On peut également retourner l'outil (port payé) à un centre de service Black & Decker ou à tout autre atelier d'entretien accrédité pour y être remplacé ou réparé, à notre gré. On peut exiger une preuve d'achat. Les adresses des centres de service Black & Decker se trouvent à la rubrique «Outils électriques» des Pages Jaunes.

La présente garantie ne vaut pas pour les accessoires. Les modalités de la présente garantie donnent des droits légaux spécifiques. L'utilisateur peut également se prévaloir d'autres droits selon l'état ou la province qu'il habite. Pour obtenir de plus amples renseignements, communiquer avec le directeur du centre de service Black & Decker de la région.

Le produit n'est pas conçu pour une utilisation commerciale.

Importé par  
Black & Decker Canada Inc.  
100 Central Ave.  
Brockville (Ontario) K6V 5W6

Voir la rubrique "Outils électriques"  
des Pages jaunes  
pour le service et les ventes.



ESPAÑOL  
**BLACK & DECKER**

## Aspiradora de piso y de mano

Catálogo No. FV7000

## MANUAL DE INSTRUCCIONES

ANTES DE DEVOLVER ESTE PRODUCTO  
POR CUALQUIER MOTIVO POR FAVOR LLAME  
(55)5326-7100

### CONSERVE ESTE MANUAL PARA FUTURAS REFERENCIAS

## RECOMENDACIONES IMPORTANTES

Cuando utilice aparatos eléctricos, debe seguir siempre ciertas precauciones básicas de seguridad, entre las que se encuentran las siguientes:

**POR FAVOR LEA CUIDADOSAMENTE TODAS LAS INSTRUCCIONES ANTES DE USAR LA UNIDAD.**

**ADVERTENCIA:** Este producto contiene químicos, incluyendo plomo, que en el Estado de California se consideran como causantes de cáncer y defectos congénitos u otros daños reproductivos. Lave sus manos después de manejarlo.

**ADVERTENCIA:** Para reducir los riesgos de incendio, choque eléctrico y lesiones:

- No deje el aparato cuando esté conectado. Desconecte de la toma de corriente cuando no lo use y antes de darle servicio.
- No se use o guarde a la intemperie o en superficies mojadas.
- Para evitar tropezarse, guarde la aspiradora después de cada uso.
- Se requiere supervisión cercana cuando cualquier aparato es utilizado por niños o cerca de ellos. No permita que se use como juguete.
- Utilícese únicamente como se describe en este manual. Utilice solamente los accesorios recomendados por el fabricante.
- No opere ningún aparato con el cable o clavija dañados, o después de que la unidad funciona mal, se dejó a la intemperie, cayó al agua o se dañó en cualquier manera. Lleve el aparato a cualquier centro de servicio autorizado.
- No tire de la aspiradora tomándola por el cable, no utilice el cable como asa, no cierre una puerta por encima del cable, ni pase éste alrededor de bordes o esquinas afiladas. No pase la aspiradora sobre el cable. Aleje el cable de superficies calientes.
- No desconecte tirando del cable. Para desconectar, sujete la clavija, no el cable.
- No maneje la clavija o el aparato con las manos mojadas.
- No coloque ningún objeto en las aberturas de la unidad. No utilice la unidad si alguna abertura está bloqueada; conserve las aberturas libres de polvo, pelusas, pelo y cualesquiera otros objetos que bloqueen el flujo de aire.
- Conserve cabello, prendas de vestir sueltas, dedos y demás partes del cuerpo lejos de las aberturas y otras partes móviles.
- Tenga mucho cuidado cuando utilice la unidad en escaleras.
- Conserve el área de trabajo bien iluminada.
- No aspire ningún aparato eléctrico mientras esté conectado.
- No recoja objetos afilados que pudiesen dañar la aspiradora o sus filtros.
- No se use para recoger líquidos, sustancias, tóxicas, líquidos inflamables o combustibles como gasolina ni se emplee en donde puedan estar presentes.
- No maneje los accesorios mientras la unidad esté en funcionamiento.
- No aspire materiales humeantes ni que estén quemándose, como colillas de cigarro, cerillos o cenizas calientes.
- No se utilice sobre superficies calientes ni cerca de ellas.
- No se utilice sin que el depósito de basura y los filtros estén en su sitio.
- Este aparato está diseñado para uso doméstico y no para uso comercial o industrial.

## CONSERVE ESTAS INSTRUCCIONES

### Instrucciones de seguridad: clavijas polarizadas

Para reducir el riesgo de choque eléctrico, este equipo cuenta con una clavija polarizada (con una pata más ancha que la otra). Las conexiones polarizadas solamente se acoplan de una manera. Si la clavija del cable de alimentación no se acopla perfectamente a la toma de corriente, invírtala. Si aún así no queda bien en la toma, comuníquese con un electricista calificado para que instale una toma de corriente apropiada. No modifique el cable de la aspiradora en ninguna manera.

### Alimentación de corriente

Asegúrese de que la alimentación de corriente concuerde con la señalada en la placa de identificación. 120 volts AC significa que su aspiradora funciona con corriente doméstica estándar a 60 Hz. No opere productos para corriente alterna con corriente continua. Una tensión nominal de 120 V AC/DC significa que su producto funciona con corriente estándar a 60 Hz o con corriente continua. Esta información se encuentra impresa en la placa de identificación. Un voltaje más bajo causará pérdida de potencia y puede ocasionar sobrecalentamiento. Todos los productos Black & Decker se prueban en la fábrica. Si su producto no funciona, revise la alimentación de corriente.

## Desempaque su aspiradora de piso y de mano DirtBuster™ (Fig. 1)

Antes de ensamblar su nueva aspiradora por favor revise que tenga las partes necesarias. Consulte la figura 1 y la siguiente lista de partes incluidas en la caja:

- A. 1 Aspiradora de mano
- B. 1 Porción superior del mango recto
- C. 1 Porción inferior del mango recto
- D. 1 bolsa de accesorios que contiene: 1 manguera flexible con adaptador, 1 esquinero, 1 cepillo para sacudir y 2 tornillos para ensamblar sin herramientas.

**Nota:** Antes de desechar el empaque, asegúrese de sacar todas las piezas. Si tiene cualquier problema, por favor llame al 1-800-54-HOW-TO (1-800-544-6986).

## Ensamblaje de su aspiradora de piso y de mano DirtBuster™ (Figs. 2-5)

¡NO SE REQUIEREN HERRAMIENTAS!

### Ensamblaje del mango recto (Figura 2)

1. Inserte la porción inferior del mango, pieza C, en la porción superior del mango, pieza B, como se ilustra en la figura 2.

**Nota:** No fuerce los mangos, deben deslizarse juntos libremente y sólo ensamblan de una manera.

2. Con los tornillos para ensamblaje sin necesidad de herramientas, atornille las dos secciones del mango juntas hasta quedar apretadas.

**Nota:** Estos tornillos para ensamblaje libre de herramientas funcionan también como envoltura para el cable. Guarde el cable de alimentación en el mango recto cuando no utilice la aspiradora. Observe la Figura 5 y la sección "Manejo y guardado del cable".



### Guardado de accesorios (véase Figura 3)

El mango recto de su aspiradora proporciona espacio para guardar la manguera flexible, el esquintero y el cepillo para sacudir. Al desmontarlo de la aspiradora, el mango funciona también como caddy para los accesorios. Para guardar los accesorios en el mango recto consulte la Figura 3.

**Nota:** Los accesorios se guardan seguros en el mango recto. No use fuerza excesiva para guardar los accesorios en su lugar.

### Instalación del mango recto (véase Figura 4)

Sujete el mango recto en posición vertical con los accesorios hacia usted, haga coincidir los extremos de las patas de inserción con los huecos de la aspiradora y empuje hacia abajo hasta escuchar un chasquido (consulte la Figura 4).

**Precaución:** La aspiradora cuenta con ruedas y con rodillos. ¡Tenga cuidado para evitar que se mueva cuando le instale el mango recto!

### Tope del mango recto

El mango recto tiene un tope que le ayuda a permanecer levantado. Se libera cuando se tira del mango hacia atrás, a la posición normal de uso. No es un seguro para el mango.

### Manejo y guardado del cable (véase la Figura 5)

Al estar completamente ensamblada, su aspiradora proporciona lugar para guardar el cable en la parte trasera del mango recto.

Para guardar el cable cuando no se use la aspiradora:

1. Coloque el mango recto en la posición vertical de guardado.
2. Pase el cable sobre el gancho de liberación rápida e insértelo en el gancho, como se observa en la Figura 5A.
3. Gire el gancho de liberación rápida a la posición hacia arriba.
4. Enrolle el cable alrededor del gancho de liberación rápida y de los dos ganchos inferiores.
5. Atope el sujetador de la clavija en una de las vueltas del cable.
6. Para soltar el cable, gire el gancho de liberación rápida hacia abajo y tire del cable. En aspirado normal vertical conserve el cable en los ganchos (Fig. 5A).

## Cómo usar su aspiradora de piso y de mano DirtBuster™ (véanse Figs. 6-17)

### Interruptor de encendido y apagado (Figuras 6 y 9)

Hay un interruptor de encendido y apagado en dos zonas de la aspiradora. Cuando utilice la aspiradora en el modo vertical, emplee el pedal que se encuentra en la parte trasera de la aspiradora (Figura 6). Cuando use la aspiradora con la mano, utilice el interruptor para el pulgar (Figura 9) que se encuentra en el mango.

**Nota:** La aspiradora puede apagarse con cualquiera de los interruptores, sin importar con cuál de ellos se encendió.

### Luces indicadoras para uso en piso desnudo o en alfombra (véanse Figuras 7A y 7B)

Hay dos luces indicadoras del lado izquierdo de la cabeza de poder.

1. Al oprimir el pedal o el interruptor de pulgar una vez se encenderá la luz que indica la marcha, que únicamente indica succión. Utilice esta posición para pisos desnudos o para usar los accesorios.
2. Al oprimir una segunda vez el pedal o el interruptor para el pulgar, se encenderán ambas luces, indicando que el cepillo de rodillo está girando. Use esta posición para aspirar en superficies alfombradas.
3. Al oprimir por tercera vez cualquiera de los dos interruptores se apaga la aspiradora.

### Desmontaje del mango recto (Figura 8)

Su aspiradora cuenta con un mango recto desmontable para convertirla en un paso en una aspiradora de mano. Consulte la Figura 4 "Para instalar el mango recto".

1. Antes de desmontar el mango recto, retire el cable de los ganchos, como se muestra en la Figura 5.
2. Oprima el pedal de liberación el mango que se encuentra en la parte trasera de la aspiradora, como se observa en la Figura 8 cuando tire del mango hacia arriba.  
**Nota:** El mango recto se puede desmontar únicamente cuando se encuentra en posición vertical.

**Precaución:** Asegúrese de que la aspiradora no se mueva a la hora de desmontar el mango recto.

### Uso como aspiradora de mano (véase la Figura 10)

Después de retirar el mango recto la unidad se vuelve una aspiradora de mano para emplearla en las escaleras, en tapicería y en superficies irregulares. El adaptador de accesorios debe utilizarse únicamente después de haber desmontado el mango recto.

### Accesorios

Su aspiradora viene con una manguera flexible para utilizar los accesorios de mano. La manguera tiene un adaptador en cada extremo, uno para conectarse a la aspiradora y el otro para instalar el esquintero o el cepillo para sacudir.

### Montaje y desmontaje del adaptador (véanse Figuras 11, 12)

**Nota:** Desconecte la aspiradora y retire el mango recto antes de montar o desmontar el adaptador de accesorios.

La manguera tiene un adaptador de conexión que se conecta en el área de la entrada de accesorios en la parte superior del depósito de basura. El adaptador cuenta con lengüetas con cierre lateral para ayudar a montar y desmontarlo del área de entrada.

1. Retire el adaptador y el montaje de la manguera del mango superior.
2. Levante la tapa de entrada de accesorios para revelar la localización de la entrada, véase la Figura 11.

**Nota:** Al levantar la tapa de la entrada se interrumpirá la vía de flujo de aire original que se encuentra por debajo de la cabeza de poder. Al levantar esta tapa también se asegura el depósito de basura en su sitio evitando que se salga accidentalmente al usar la manguera flexible y los accesorios.

3. Inserte el extremo plano de la manguera de conexión en la entrada.
4. Instale el esquintero para esquinas estrechas o el cepillo para tapicería y cortinas, véase la Figura 12.
5. Para desmontar el adaptador, oprima los clips que se encuentran a los lados del adaptador y tire de éste hacia fuera de la entrada, observe la Figura 11.

### Para vaciar el depósito de basura (véanse Figuras 13-16)

**Nota:** Desconecte la aspiradora antes de usar el depósito.

1. Para vaciar la basura y acceder a los filtros, es necesario cerrar el área de entrada de los accesorios para poder desasegurar el depósito para sacarlo.
2. Sujete el asa del depósito y tire hacia arriba como se muestra en la Figura 13. Ahora usted podrá llevar el depósito hasta el basurero para vaciar el contenido.
3. Oriente el depósito de basura como se muestra en la Figura 14, a continuación saque el montaje de los filtros del depósito de basura levantando hacia arriba en línea recta. Observe la localización de las zonas de agarre para los dedos.
4. Vacíe el depósito de basura, véase la Figura 15, y limpie la carátula de la puerta de la pantalla, Figura 16A.
5. Abra la puerta de la pantalla colocando el dedo por debajo de la lengüeta y levante, Figura 16 B. Para sacar la basura del filtro, golpee contra una superficie dura o cepille con un cepillo suave. Se puede quitar la puerta y después se puede colocar de nuevo con facilidad en la carcasa del filtro.
6. El filtro plisado puede retirarse del montaje de los filtros tirando de un pliegue, Figura 16C. Vacíe el contenido o lave a mano con agua tibia. Enjuague perfectamente, permita que seque.

**IMPORTANTE:** ASEGÚRESE DE QUE EL FILTRO ESTÉ SECO ANTES DE REENSAMBLAR. REVISE LA PUERTA Y EL FILTRO PLISADO EN BUSCA DE DAÑOS. EN CASO DE ESTAR DAÑADOS, REEMPLÁCELOS ANTES DE USAR LA ASPIRADORA.

7. Coloque el filtro plisado en la carcasa de los filtros, cierre la puerta de la pantalla, coloque el montaje de los filtros de nuevo en el depósito de la basura, e insértelo de nuevo en la aspiradora, presionando con firmeza en su sitio.  
**PARA OBTENER MEJOR RENDIMIENTO, LIMPIE O CAMBIE LOS FILTROS CON FRECUENCIA.**

**ADVERTENCIA:** NO OPERE LA ASPIRADORA SIN QUE LOS FILTROS O EL DEPÓSITO DE BASURA ESTÉN EN SU SITIO.

## Piezas de repuesto y mantenimiento

### Filtro plisado y puerta de malla de repuesto

Los filtros plisados y las puertas de malla pueden adquirirse con su distribuidor o centro de servicio autorizado Black & Decker. Utilice únicamente refacciones genuinas Black & Decker para su aspiradora.

### Mantenimiento

**IMPORTANTE:** DESCONECTE AL ASPIRADORA ANTES DE EFECTUAR CUALQUIER TIPO DE MANTENIMIENTO.

Utilice únicamente jabón suave y un trapo húmedo para limpiar su aspiradora. Nunca permita que se introduzca ningún líquido en la aspiradora; nunca sumerja ninguna parte de la aspiradora en ningún líquido.

**Nota:** Asegúrese de que la aspiradora esté perfectamente seca antes de usarla.

Revise la barra del cepillo a menudo y retire todo cabello y pelusas de las cerdas.

**Precaución:** No utilice objetos con filo para limpiar la barra del cepillo.

### Importante

Para garantizar la seguridad y la confiabilidad del producto; las reparaciones, el mantenimiento y los ajustes (diferentes a los mencionados en este manual) deberán ser efectuados por centros de servicio autorizado u otras organizaciones de servicio calificadas que utilicen siempre refacciones idénticas.

### Información de servicio

Black & Decker ofrece una red completa de centros de servicio propiedad de la compañía y franquiciados a través de toda Norteamérica. Todos los centros de servicio Black & Decker cuentan con personal capacitado para proporcionar el servicio a herramientas más eficiente y confiable.

Siempre que necesite consejo técnico, reparaciones o partes de repuesto genuinas, comuníquese con el centro Black & Decker más cercano a usted.

Para encontrar su centro de servicio local, consulte la sección amarilla bajo "Herramientas eléctricas", o llame al: (55)5326-7100

### Garantía completa para uso doméstico por dos años

Black & Decker (U.S.) garantiza este producto por dos años completos contra cualquier falla originada por materiales o mano de obra defectuosos. El producto defectuoso será reemplazado o reparado sin cargo alguno en cualquiera de las siguientes dos maneras:

La primera, que resulta únicamente en cambios, es regresar el producto al vendedor al que se compró (en la suposición que es un distribuidor participante). Las devoluciones deberán hacerse dentro del tiempo estipulado por la política de cambios del distribuidor (usualmente de 30 a 90 días después de la venta). Se puede requerir prueba de compra. Por favor verifique con el vendedor las políticas específicas de devolución relacionadas a las devoluciones en tiempo posterior al estipulado para cambios.

La segunda opción es llevar o enviar el producto (con porte pagado) a los centros de servicio Black & Decker propios o autorizados, para que la reparemos o reemplacemos a nuestra opción. Se puede requerir prueba de compra. Los centros de servicio Black & Decker propios y autorizados están enlistados bajo "Herramientas eléctricas" en la sección amarilla del directorio telefónico.

Este producto no está diseñado para uso comercial.

### ESPECIFICACIONES

Tensión de alimentación:	120 V AC
Potencia nominal:	700 W
Frecuencia de operación:	60 Hz
Consumo de corriente:	6,6 A

### PARA REPARACION Y SERVICIO DE SUS HERRAMIENTAS ELECTRICAS FAVOR DE DIRIGIRSE AL CENTRO DE SERVICIO MAS CERCANO

CULIACAN	Av. Nicolas Bravo #1063 Sur	(56 77) 12 42 10
GAUDALAJARA	Av. La Paz #1770	(33 38) 26 69 78
LEON	Polara #32	(47 77) 13 14 56
MEXICO	Sonora #134 Hipodromo Condesa	(55 55) 53 99 79
MERIDA	Calle 63 #459	(99 99) 23 54 90
MONTERREY	Av. Francisco I. Madero Pte. 1820-A	(81 83) 72 11 25
PUEBLA	17 Norte #2057	(22 22) 46 90 20
QUERETARO	Av. Madero 139 Pte.	(44 22) 14 60 60
SAN LOUIS POTOSI	Pedro Moreno #408 Fracc. la Victoria	(44 48) 14 25 67
TORREON	Blvd. Independencia, 96 pte.	(87 17) 16 52 65
VERACRUZ	Prolongación Diaz Miron #4280	(29 99) 21 70 18
VILLAHERMOSA	Zaragoza #105	(99 33) 12 53 17

PARA OTRAS LOCALIDADES LLAME AL: (55) 5326-7100

Para servicio y ventas consulte "HERRAMIENTAS ELECTRICAS" en la sección amarilla.



IMPORTADOR: BLACK & DECKER S.A. DE C.V.  
BOSQUES DE CIDROS ACCESO RADIATAS NO. 42  
BOSQUES DE LAS LOMAS, 05120 MEXICO, D.F.  
(55) 5326-7100